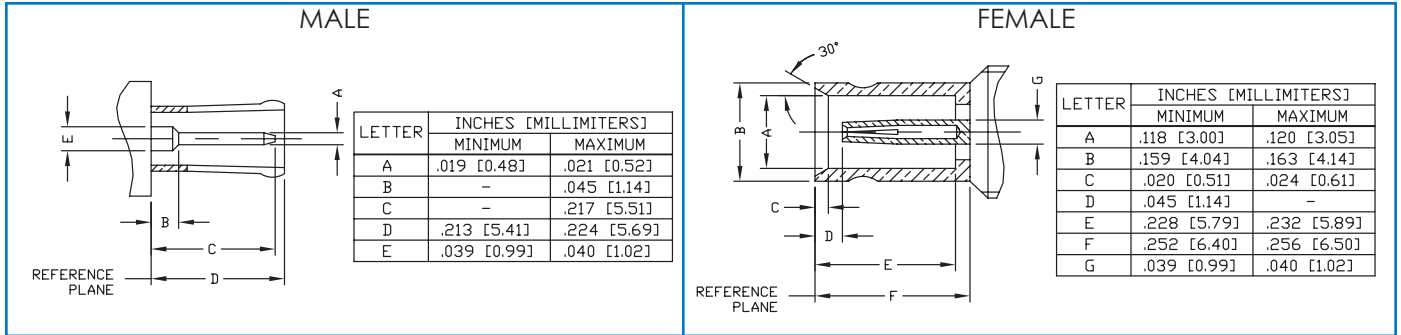


# 1.0/2.3 SERIES

1.0/2.3



SPECIFICATIONS	CABLE GROUPS	
<b>ELECTRICAL SPECIFICATIONS</b> IMPEDANCE: 50 Ω WORKING VOLTAGE RATING: 250 VRMS @ SEA LEVEL FREQUENCY RANGE: 0-4 GHz  <b>MECHANICAL SPECIFICATIONS</b> CABLING: CRIMP AND PCB SOLDER INTERFACE: CECC 22230  <b>PLATING</b> N - NICKEL G - GOLD  <b>DIELECTRIC MATERIAL</b> T - PTFE	<b>GRP</b>	<b>FOR THESE CABLE TYPES</b>
	<u>B</u>	TIMES LMR-100A; RG-174, 188, 188A, 316/U; ALPHA 9174, 9316; BELDEN 7805A, 8216, 83269, 83284, 84316; COMMScope AMC-174
	<u>B1</u>	RG-316/U DOUBLE SHIELD; RD-316
<a href="#">FOR A MORE EXTENSIVE LISTING OF CABLE GROUPS</a>		



PHOTOS FOR REFERENCE ONLY, SHOWN AT 100% ACTUAL SIZE.

FOR MOUNTING CONFIGURATIONS

PART #	FIG	DESCRIPTION	CBL GRP	NOTES	PLATING			RECOMMENDED TOOL
					BDY	P/C	DIE	
<a href="#">RF123-7000-B</a>	1	Male Snap on Crimp	<u>B</u>	for RG-174/U	N	G	T	<a href="#">RFA-4009-204</a>
<a href="#">RF123-7000-B-03</a>	2	Male Push on Crimp	<u>B,B1</u>	for RG-174/U, RG-316/U & RG-316/U Double Shield	N	G	T	<a href="#">RFA-4009-204</a>
<a href="#">RF123-7000-B1</a>	2	Male Snap on Crimp	<u>B1</u>	for RG-174/U & RG-316/U Double Shield	N	G	T	<a href="#">RFA-4009-204</a>
<a href="#">RF123-7001-B</a>	3	Male Slide on Crimp	<u>B, B1</u>	for RG-174/U, RG-316/U & RG-316/U Double Shield	N	G	T	<a href="#">RFA-4009-204</a>
<a href="#">RF123-7002-B</a>	4	Male Screw On Crimp	<u>B, B1</u>	for RG-174/U, RG-316/U & RG-316/U Double Shield	N	G	T	<a href="#">RFA-4005-300</a>
<a href="#">RF123-7050-1B</a>	5	Female Slide on Crimp	<u>B, B1</u>	for RG-174/U, RG-316/U & RG-316/U Double Shield	G	G	T	<a href="#">RFA-4009-204</a>
<a href="#">RF123-7050-1B1</a>	5	Female Slide on Crimp	<u>B,B1</u>	for RG-174/U, RG-316/U & RG-316/U Double Shield	G	G	T	<a href="#">RFA-4009-204</a>
<a href="#">RF123-7052-1B</a>	6	Female Crimp Bulkhead	<u>B, B1</u>	with Double D Flat, for for RG-174/U, RG-316/U & RG-316/U Double Shield	G	G	T	<a href="#">RFA-4009-204</a>
<a href="#">RF123-7300-1</a>	7	Female Right Angle PCB Bulkhead		with Double D Flat, 4 Leg	G	G	T	
<a href="#">RF123-7350-1</a>	8	Female Vertical PCB Bulkhead		4 Leg	G	G	T	

