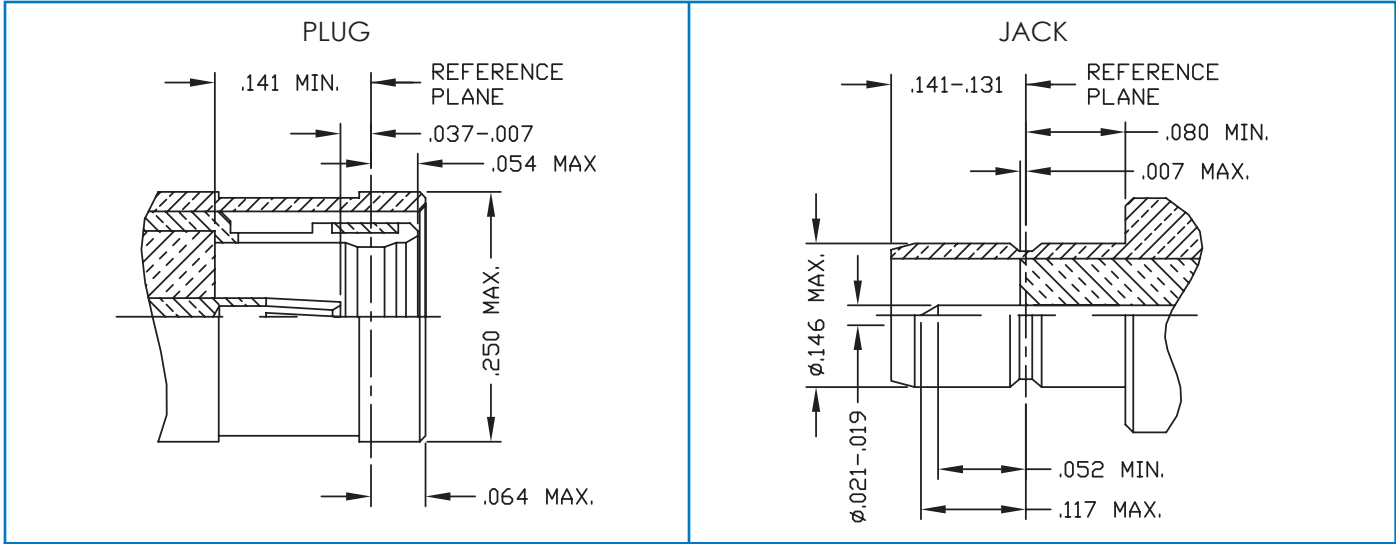


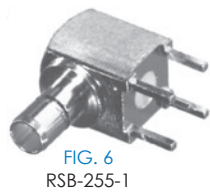
MINI-SMB 75 Ohm

MINI-SMB



SPECIFICATIONS

<p>ELECTRICAL SPECIFICATIONS IMPEDANCE: 75 Ω WORKING VOLTAGE RATING: 335 VRMS @ SEA LEVEL (DEPENDENT ON CABLE) FREQUENCY RANGE: 0-4 GHZ</p>	<p>MECHANICAL SPECIFICATIONS MATING: SNAP LOCK INTERFACE: MIL-STD-348 CABLING: CRIMP, PCB SOLDER</p>	<p>PLATING G - GOLD</p>	<p>DIELECTRIC MATERIAL T - PTFE</p>
--	--	---	---



PHOTOS FOR REFERENCE ONLY, SHOWN AT 150% ACTUAL SIZE.

FOR MOUNTING CONFIGURATIONS

PART #	FIG	DESCRIPTION	CABLE GROUPS	PLATING			RECOMMENDED TOOL
				BDY	P/C	DIE	
RSB-200-1-179	1	Crimp Plug	for RG-179/U Only	G	G	T	RFA-4009-204
RSB-200-1S1	1	Crimp Plug	for RG-179/U Double Shield	G	G	T	RFA-4009-204
RSB-210-1-179	2	Right Angle Crimp Plug	for RG-179/U Only	G	G	T	RFA-4009-204
RSB-210-1-S1	2	Right Angle Crimp Plug	for RG-179/U Double Shield	G	G	T	RFA-4009-204
RSB-220-1-179	3	Crimp Jack	for RG-179/U Only	G	G	T	RFA-4009-204
RSB-221-1-179	4	Bulkhead Crimp Jack	for RG-179/U Only	G	G	T	RFA-4009-204
RSB-250-1	5	Vertical Jack PCB Mount		G	G	T	
RSB-255-1	6	Right Angle Jack PCB Mount		G	G	T	
RSB-260-1	7	Vertical Plug PCB Mount		G	G	T	
RSB-265-1	8	Right Angle Plug PCB Mount		G	G	T	

