


Kits Expand UNIDAPT™ Line

The RFA-4022, 74-piece Unidapt™ Mega-Plus Kit, contains all adapters found in our classic RFA-4024 Unidapt™ Kit, plus 34 additional parts: two 48" Unicables™, Unidapt™ female-to-female barrel adapter, the Unidapt™ Cable Tester, three more universal adapters and an assortment of reverse polarity adapters. 

RFA-4018-20 Unidapt Cable Tester — available separately or in Unidapt™ test kits. Powered by a 9-volt battery, tester is lightweight, small and completely portable. Front LED panel indicates Pass, Fail, Short, Open Conductor or Open Shield. You can use any combination of Unidapt™ adapter to create literally hundreds of configurations. No other coaxial tester on the market offers this versatility.

RFA-4019, 27-piece Unidapt Expansion Kit — for current Unidapt™ owners. Contains 3 universal centers, all of the new adapters (SMB, MCX, MMCX, 7-16 DIN, RP-SMA, RP-TNC) and expansion slots to house your current adapters in one convenient foam-lined case.

RFA-4019-48 — RFA-4019 with two 48" Unicables™ and Unidapt™ Barrel Adapter.

RFA-4020, 70-piece Unidapt Mega Kit — contents of RFA-4023-01 kit plus all new adapters (SMB, MCX, MMCX, 7-16 DIN, RP-SMA, RP-TNC).

RFA-4018, 31-piece Unidapt Cable Testing Kit — contents of Classic RFA-4024 kit plus Unidapt™ coaxial cable tester. Bench and field technician can quickly and easily test cables with female Mini-UHF, TNC and male and/or female BNC, N, or SMA terminations.

RFA-4018-WIFI Unidapt Cable Testing Kit — contains Unidapt™ coax cable tester with these male and female connector interfaces: RP-TNC, RP-SMA, MMCX, N, TNC, BNC, and SMA.

RFA-4018-20 Unidapt Cable Tester

RFA-4023-01, 43-piece Unidapt Universal Adapter Kit — includes RF Sampler, right-angle and "T" adapters, binding posts, banana plugs, and RCA and F connectors.

RFA-4023-01-WIFI — components of RFA-4024-WIFI kit, plus "T" & R/A universal centers, RF Sampler, binding post and banana plug adapters, RCA and F adapters.

RFA-4028 Expanded Unidapt Cable Testing Kit —

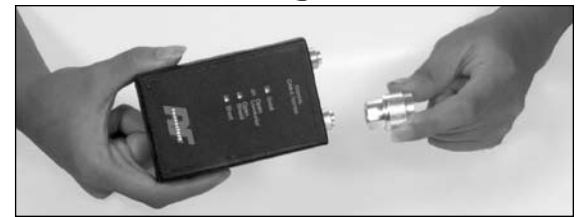
components of RFA-4018 kit with RFA-4218-20 CAT5 cable tester.

RFA-4028-WIFI Expanded Unidapt Cable Testing Kit —

components of RFA-4018-WIFI kit and the RFA-4218-20 CAT5 cable tester.

RFA-4218-20 CAT5 Cable Tester — EIA/10Base-T tester with RJ45 inputs and LED display. Tests 10Base-T pairs, Straights, Crossovers and Miswires.

Unidapt™ is a registered trademark of RF Industries.

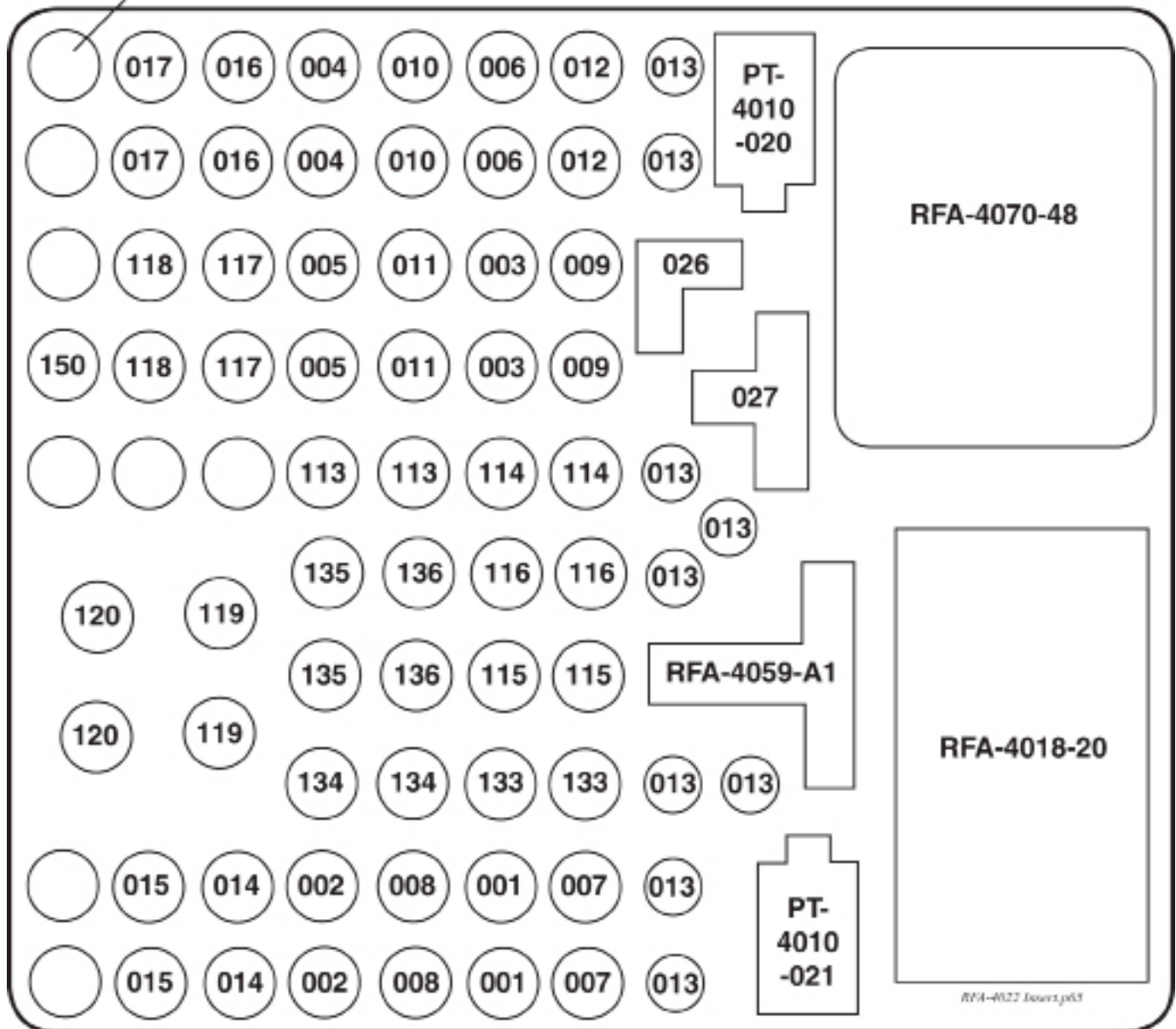


RFA-4018-20 Unidapt™ Cable Tester



RFA-4022 Unidapt™ Mega-Plus Kit

Empty spaces are expansion slots for future additions.



RFA-4022 Insert.pdf

- (2) **PT-4000-001**
Unidapt Female to UHF Male
- (2) **PT-4000-002**
Unidapt Female to Mini-UHF Male
- (2) **PT-4000-003**
Unidapt Female to N Male
- (2) **PT-4000-004**
Unidapt Female to BNC Male
- (2) **PT-4000-005**
Unidapt Female to TNC Male
- (2) **PT-4000-006**
Unidapt Female to SMA Male
- (2) **PT-4000-007**
Unidapt Female to UHF Female
- (2) **PT-4000-008**
Unidapt Female to Mini-UHF Female
- (2) **PT-4000-009**
Unidapt Female to N Female

- (2) **PT-4000-010**
Unidapt Female to BNC Female
- (2) **PT-4000-011**
Unidapt Female to TNC Female
- (2) **PT-4000-012**
Unidapt Female to SMA Female
- (3) **PT-4000-013**
Unidapt Male Universal Centers
- (2) **PT-4000-014**
Unidapt Females to RCA Males
- (2) **PT-4000-015**
Unidapt Females to RCA Female Phone Jacks
- (2) **PT-4000-016**
Unidapt Females to F Female
- (2) **PT-4000-017**
Unidapt Females to F Male
- (1) **PT-4000-026**
Unidapt Male Right-Angle

- (1) **PT-4000-027**
Unidapt Male T Adapter
- (2) **PT-4000-113**
Unidapt Female to SMB Male
- (2) **PT-4000-114**
Unidapt Female to SMB Female
- (2) **PT-4000-115**
Unidapt Female to MCX Male
- (2) **PT-4000-116**
Unidapt Female to MCX Female
- (2) **PT-4000-117**
Unidapt Female to MMCX Male
- (2) **PT-4000-118**
Unidapt Female to MMCX Female
- (2) **PT-4000-119**
Unidapt Female to 7-16 DIN Male
- (2) **PT-4000-120**
Unidapt Female to 7-16 DIN Female

- (2) **PT-4000-133**
Unidapt Female to RP SMA Male
- (2) **PT-4000-134**
Unidapt Female to RP SMA Female
- (2) **PT-4000-135**
Unidapt Female to RP TNC Male
- (2) **PT-4000-136**
Unidapt Female to RP TNC Female
- (1) **PT-4000-150**
Unidapt Female to Unidapt Female Barrel
- (1) **PT-4010-020**
Unidapt Male to Double Binding Post
- (1) **PT-4010-021**
Unidapt Male to Double Banana Plug
- (1) **RFA-4018-20**
Unidapt Cable Tester
- (1) **RFA-4059-A1**
RF Sampler with Unidapt Male Terminations
- (2) **RFA-4070-48**
48" Unicables®, Unidapt Male, Double Shield